

V-CHECK 2MR

Power Frequency Overvoltage Protection Devices
SPD+POP Autorecloser



General Data

| | |
|---------------------------|----------------------------------|
| Internal configuration | 1+1 |
| No. Poles | 2-Pole |
| No. poles + configuration | 2 Poles, 1P+N |
| No. DIN rail modules | 5 |
| Network configuration | TT, TNS |
| IEC SPD Type | Class II |
| EN SPD Type | Type 2 |
| Protection Modes | L-N / N-PE |
| Product standards | EN 50550; IEC 63052; EN 61643-11 |



PART NUMBERS

| XX | 6 | 10 | 16 | 20 | 25 | 32 | 40 |
|----------------|----------|----------|----------|----------|----------|----------|----------|
| V-CHECK 2MR-XX | 77706256 | 77706257 | 77706295 | 77706296 | 77706250 | 77706297 | 77706255 |

MINIATURE CIRCUIT BREAKER (MCB)

| V-CHECK 2MR-XX | 6 | 10 | 16 | 20 | 25 | 32 | 40 |
|---|-------|----|----|----|----|----|----|
| MCB Nominal current - In (IGA) [A] | 6 | 10 | 6 | | 25 | 6 | 40 |
| Tripping curve | C | | | | | | |
| Frequency [Hz] | 50 | | | | | | |
| Breaking capacity EN 60898 - Icn [A] | 10000 | | | | | | |
| Breaking capacity EN 60947-2 - Icn [kA] | 15 | | | | | | |
| Rigid bare wire [mm] | 10 | | | | | | |
| Flexible bare wire [mm] | 10 | | | | | | |

POWER FREQUENCY OVERVOLTAGE PROTECTOR (POP)

| V-CHECK 2MR-XX | 6 | 10 | 16 | 20 | 25 | 32 | 40 |
|---|----------------|----|----|----|----|----|----|
| Actuation method | Integrated MCB | | | | | | |
| Automatic reconnection | Yes | | | | | | |
| Flexible bare wire of shunt release [mm] | 6 | | | | | | |
| Test button | Yes | | | | | | |
| Min. flexible cable section of shunt release [mm ²] | 1.5 | | | | | | |
| Max. flexible conductor section of shunt release [mm ²] | 2.5 | | | | | | |
| Min. rigid conductor section of shunt release [mm ²] | 1.5 | | | | | | |
| Max. rigid conductor section of shunt release [mm ²] | 3.5 | | | | | | |
| Rigid bare wire of shunt release [mm] | 6 | | | | | | |

SURGE PROTECTION DEVICE (SPD) - IEC TECHNICAL FEATURES

| V-CHECK 2MR-XX | 6 | 10 | 16 | 20 | 25 | 32 | 40 |
|---|---------|----|----|----|----|----|----|
| Maximum continuous operating voltage (AC) - Uc (L-N) [V] | 400 | | | | | | |
| Maximum continuous operating voltage (AC) - Uc (N-PE) [V] | 255 | | | | | | |
| Nominal voltage AC 50-60 Hz - Un [V] | 230/400 | | | | | | |

DATASHEET

This document is subject to change at any time without notice www.cirprotec.com | Lepanto 49 · 08223 Terrassa, Barcelona Spain © 2024 Cirprotec SLU | All rights reserved

cirprotec

V-CHECK 2MR

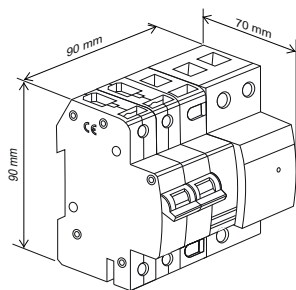
Continue V-CHECK 2MR-XX

| V-CHECK 2MR-XX | 6 | 10 | 16 | 20 | 25 | 32 | 40 |
|--|---|----|----|------|----|----|----|
| Nominal voltage AC 50-60 Hz - Un(L-N) [V] | | | | 230 | | | |
| Nominal discharge current (8/20) - In (L-N) [kA] | | | | 5 | | | |
| Max Discharge Current (8/20) - I _{max} (L-N) [kA] | | | | 20 | | | |
| Voltage protection level at In - Up (L-N) [kV] | | | | ≤1,8 | | | |
| Voltage protection level at In - Up (N-PE) [kV] | | | | ≤1,5 | | | |
| Response time - t _A (L-N) [ns] | | | | ≤25 | | | |
| Response time - t _A (N-PE) [ns] | | | | ≤100 | | | |
| Dynamic thermal disconnection | | | | Yes | | | |

MECHANICAL AND ENVIRONMENTAL FEATURES

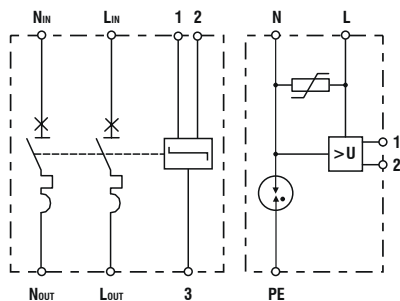
| V-CHECK 2MR-XX | 6 | 10 | 16 | 20 | 25 | 32 | 40 |
|----------------------------------|---|----|----|------------------------|----|----|----|
| Temperature range [°C] | | | | -5 ... 40 | | | |
| Humidity range [%] | | | | 5 ... 95 | | | |
| Indication System Type | | | | LED | | | |
| Housing color | | | | Grey RAL 7035 | | | |
| Enclosure - IP | | | | IP20 | | | |
| Solid conductor cross section | | | | 6...35 mm ² | | | |
| Stranded conductor cross section | | | | 6...25 mm ² | | | |

DIMENSIONS AND WEIGHT



| V-CHECK 2MR-XX | 6 | 10 | 16 | 20 | 25 | 32 | 40 |
|---------------------------------------|---|----|----|---------------|----|----|----|
| Net Weight [kg] | | | | 0.484 | | | |
| Gross weight [kg] | | | | 0.535 | | | |
| Packaging dimensions (H x W x L) [mm] | | | | 106 × 94 × 93 | | | |

INTERNAL CONFIGURATION



DATASHEET

This document is subject to change at any time without notice www.cirprotec.com | Lepanto 49 · 08223 Terrassa, Barcelona Spain © 2024 Cirprotec SLU | All rights reserved

cirprotec