

# PSM 40 3+1

Power Line SPDs  
DIN RAIL - IEC TYPE 2



## General Data

Internal configuration	3+1
No. Poles	4-Pole
No. DIN rail modules	4
Network configuration	TT, TNS
IEC SPD Type	Class II
EN SPD Type	Type 2
UL SPD Type	Type 2 Component Assembly
Format	Pluggable
Protection Modes	L-N / N-PE
Product standards	IEC/EN 61643-11; UL 1449 5th Edition



## PART NUMBERS

XXX	230	400	480
PSM4-40/XXX TT	77707804	77707806	77707810
PSM4-40/XXX TT IR (with Remote Indication)	77707805	77707807	77707811

## SURGE PROTECTION DEVICE (SPD) - IEC TECHNICAL FEATURES

PSM4-40/XXX TT, PSM4-40/XXX TT IR (with Remote Indication)	230	400	480
Maximum continuous operating voltage (AC) - Uc (L-N) [V]	150	275	320
Maximum continuous operating voltage (AC) - Uc (N-PE) [V]		265	
Nominal voltage AC 50-60 Hz - Un [V]	120/208	230/400	277/480
Nominal voltage AC 50-60 Hz - Un(L-L) [V]	208	400	480
Nominal voltage AC 50-60 Hz - Un(L-N) [V]	120	230	277
Nominal discharge current (8/20) - In (L-N) [kA]		20	
Max Discharge Current (8/20) - Imax (L-N) [kA]		40	
Voltage protection level at In - Up (L-N) [kV]	≤1	≤1,3	≤1,5
Voltage protection level at In - Up (N-PE) [kV]		≤1,5	
Voltage protection level - Ures (L-N) at 10kA [kV]	0.6		
Voltage protection level- Ures (L-N) at 5kA [kV]	0.5		
Maximum back-up fuse [A [gG]]		125	
Short circuit withstand- Iscsr [kA]		25	
Following current - Ifi [A]		100	
Response time - tA (L-N) [ns]		≤25	
Response time - tA (N-PE) [ns]		≤100	
Dynamic thermal disconnection		Yes	
Thermal protection behaviour		OCM (Open Circuit Mode)	

## SURGE PROTECTION DEVICE (SPD) - UL TECHNICAL FEATURES

PSM4-40/XXX TT, PSM4-40/XXX TT IR (with Remote Indication)	230	400	480
Nominal discharge current (8/20) - In [kA]		20	
Voltage protection rating - VPR (L-L) [V]	1200	1800	2000
Voltage protection rating - VPR (L-N) [V]	700	900	1200

## DATASHEET

This document is subject to change at any time without notice [www.cirprotec.com](http://www.cirprotec.com) | Lepanto 49 · 08223 Terrassa, Barcelona Spain © 2024 Cirprotec SLU | All rights reserved

**cirprotec**

# PSM 40 3+1

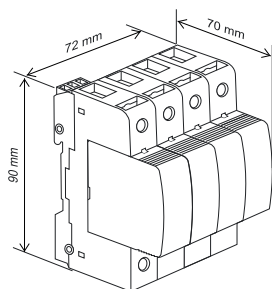
Continue PSM4-40/XXX TT, PSM4-40/XXX TT IR (with Remote Indication)

PSM4-40/XXX TT, PSM4-40/XXX TT IR (with Remote Indication)	230	400	480
Voltage protection rating - VPR (L-G) [V]	1200		1500
Voltage protection rating - VPR (N-G) [V]		700	

## MECHANICAL AND ENVIRONMENTAL FEATURES

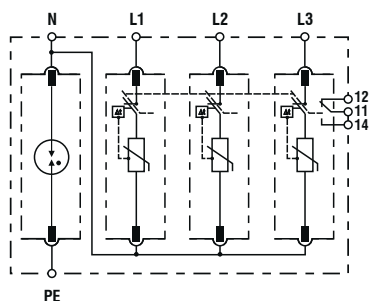
PSM4-40/XXX TT, PSM4-40/XXX TT IR (with Remote Indication)	230	400	480
Temperature range [°C]		-40 ... 85	
Humidity range [%]		5 ... 95	
Indication System Type		Green (OK) / Not green (replace)	
Insulating material		PA66 CT1	
Enclosure - IP		IP20	
Flammability class		UL94 V-0	
Solid conductor cross section		6...35 mm <sup>2</sup>	
Stranded conductor cross section		6...25 mm <sup>2</sup>	
Torque rating [N m]		3	
Remote indication conductor cross section [mm <sup>2</sup> ]		0.08 ... 1.5	
Remote indication switching capacity [V/A]		AC: 125/0.2 DC: 250/1	
Remote Indication Torque [N m]		0.2	

## DIMENSIONS AND WEIGHT



PSM4-40/XXX TT PSM4-40/XXX TT IR (with Remote Indication)	230	400	480
Net Weight [kg]	0.37	0.387	0.385
Gross weight [kg]	0.41	0.431	0.428
Packaging dimensions (H x W x L) [mm]	117 × 78 × 90		

## INTERNAL CONFIGURATION



## REPLACEMENT CARTRIDGES

PSM4-40/XXX TT PSM4-40/XXX TT IR (with Remote Indication)	230	400	480
PSM-XX/YYY (Line)	77707654	77707655	77707671
PSM-40N (Neutral)	77707664		

## DATASHEET

This document is subject to change at any time without notice [www.cirprotec.com](http://www.cirprotec.com) | Lepanto 49 · 08223 Terrassa, Barcelona Spain © 2024 Cirprotec SLU | All rights reserved