

# PSM 20 4+0

Power Line SPDs

DIN RAIL - IEC TYPE 2+3



## General Data

Internal configuration	4+0
No. Poles	4-Pole
No. DIN rail modules	4
Network configuration	TNS
IEC SPD Type	Class II + III
EN SPD Type	Type 2+3
Format	Pluggable
Protection Modes	L-PE / N-PE
Product standards	IEC 61643-11; EN 61643-11



## PART NUMBERS

XXX	230	400	480
PSM4-20/XXX TNS	77707950	77707952	77707987
PSM4-20/XXX TNS IR (with Remote Indication)	77707951	77707953	77707988

## SURGE PROTECTION DEVICE (SPD) - IEC TECHNICAL FEATURES

PSM4-20/XXX TNS, PSM4-20/XXX TNS IR (with Remote Indication)	230	400	480
Maximum continuous operating voltage (AC) - Uc [V]	150	320	
Nominal voltage AC 50-60 Hz - Un [V]	120/208	230/400	277/480
Nominal discharge current (8/20)- In [kA]	10		
Max Discharge Current (8/20) - Imax [kA]	20		
Voltage protection level at In - Up [kV]	≤0,8	≤1,4	
Combined Discharge Voltage (1,2/50) (Uoc) [kV]	10		
Maximum back-up fuse [A [gG]]	80		
Short circuit withstand- Isccr [kA]	25		
Response time - tA [ns]	≤25		
Dynamic thermal disconnection	Yes		
Thermal protection behaviour	OCM (Open Circuit Mode)		

## SURGE PROTECTION DEVICE (SPD) - UL TECHNICAL FEATURES

PSM4-20/XXX TNS, PSM4-20/XXX TNS IR (with Remote Indication)	230	400	480
Maximum continuous operating voltage - MCOV (L-L) [V]	640	750	350
Maximum continuous operating voltage - MCOV (L-N) [V]	320	440	175
Maximum continuous operating voltage - MCOV (L-G) [V]	320	440	175
Maximum continuous operating voltage - MCOV (N-G) [V]	320	440	175

## MECHANICAL AND ENVIRONMENTAL FEATURES

PSM4-20/XXX TNS, PSM4-20/XXX TNS IR (with Remote Indication)	230	400	480
Temperature range [°C]	-40 ... 85		
Humidity range [%]	5 ... 95		
Indication System Type	Green (OK) / Not green (replace)		

## DATASHEET

This document is subject to change at any time without notice [www.cirprotec.com](http://www.cirprotec.com) | Lepanto 49 · 08223 Terrassa, Barcelona Spain © 2024 Cirprotec SLU | All rights reserved

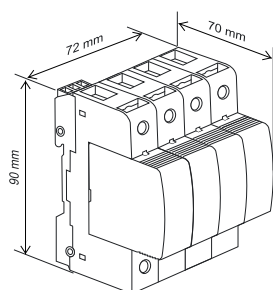
**cirprotec**

# PSM 20 4+0

Continue PSM4-20/XXX TNS, PSM4-20/XXX TNS IR (with Remote Indication)

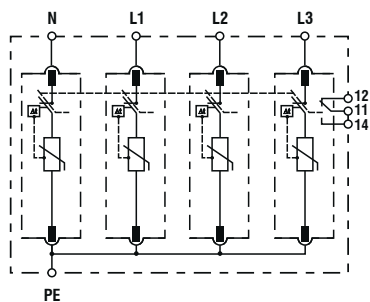
PSM4-20/XXX TNS, PSM4-20/XXX TNS IR (with Remote Indication)	230	400	480
Insulating material	PA66 CT1		
Enclosure - IP	IP20		
Flammability class	UL94 V-0		
Solid conductor cross section	6...35 mm <sup>2</sup>		
Stranded conductor cross section	6...25 mm <sup>2</sup>		
Torque rating [N m]	3		
Remote indication conductor cross section [mm <sup>2</sup> ]	0.08 ... 1.5		
Remote indication switching capacity [V/A]	AC: 125/0.2 DC: 250/1		
Remote Indication Torque [N m]	0.2		

## DIMENSIONS AND WEIGHT



PSM4-20/XXX TNS PSM4-20/XXX TNS IR (with Remote Indication)	230	400	480
Net Weight [kg]	0.345	0.363	0.359
Gross weight [kg]	0.389	0.408	0.404
Packaging dimensions (H x W x L) [mm]	117 × 78 × 90		

## INTERNAL CONFIGURATION



## REPLACEMENT CARTRIDGES

PSM4-20/XXX TNS PSM4-20/XXX TNS IR (with Remote Indication)	230	400	480
PSM-20/XXX (Line)	77707650	77707651	77707669

## DATASHEET

This document is subject to change at any time without notice [www.cirprotec.com](http://www.cirprotec.com) | Lepanto 49 · 08223 Terrassa, Barcelona Spain © 2024 Cirprotec SLU | All rights reserved

**cirprotec**