

PSC 12,5 4+0

Power Line SPDs

DIN RAIL - IEC TYPE 1+2



General Data

Internal configuration	4+0
No. Poles	4-Pole
No. DIN rail modules	4
Network configuration	TNS
IEC SPD Type	Class I+II
EN SPD Type	Type 1+2
Format	Pluggable
Protection Modes	L-PE / N-PE
Product standards	IEC 61643-11; EN 61643-11



PART NUMBERS

XXX	230	400	480
PSC4-12,5/XXX TNS	77738450	77738455	77738457
PSC4-12,5/XXX TNS IR (with Remote Indication)	77738451	77738456	77738458

SURGE PROTECTION DEVICE (SPD) - IEC TECHNICAL FEATURES

PSC4-12,5/XXX TNS, PSC4-12,5/XXX TNS IR (with Remote Indication)	230	400	480
Maximum continuous operating voltage (AC) - Uc [V]	150	275	320
Nominal voltage AC 50-60 Hz - Un [V]	120/208	230/400	277/480
Nominal discharge current (8/20)- In [kA]		20	
Max Discharge Current (8/20) - Imax [kA]		65	
Lightning impulse current (10/350) - Iimp [kA]		12.5	
Voltage protection level at In - Up [kV]	≤1	≤1,3	≤1,4
Voltage protection level - Ures (L-PE) at 10kA [kV]	0.6		
Voltage protection level - Ures (L-PE) at 5kA [kV]	0.5		
Maximum back-up fuse [A [gG]]		200	
Short circuit withstand- Isccr [kA]		25	
Response time - tA [ns]		≤25	
Dynamic thermal disconnection		Yes	
Thermal protection behaviour		OCM (Open Circuit Mode)	

MECHANICAL AND ENVIRONMENTAL FEATURES

PSC4-12,5/XXX TNS, PSC4-12,5/XXX TNS IR (with Remote Indication)	230	400	480
Temperature range [°C]		-40 ... 85	
Humidity range [%]		5 ... 95	
Indication System Type		Green (OK) / Not green (replace)	
Insulating material		PA66 CT1	
Enclosure - IP		IP20	
Flammability class		UL94 V-0	
Solid conductor cross section		6...35 mm ²	
Stranded conductor cross section		6...25 mm ²	

DATASHEET

This document is subject to change at any time without notice www.cirprotec.com | Lepanto 49 · 08223 Terrassa, Barcelona Spain © 2024 Cirprotec SLU | All rights reserved

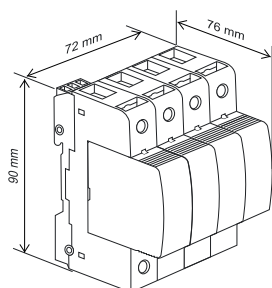
cirprotec

PSC 12,5 4+0

Continue PSC4-12,5/XXX TNS, PSC4-12,5/XXX TNS IR (with Remote Indication)

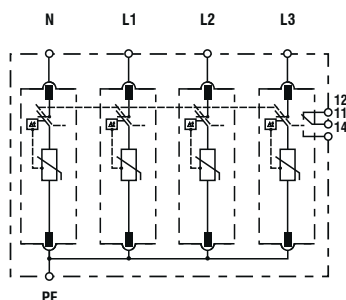
PSC4-12,5/XXX TNS, PSC4-12,5/XXX TNS IR (with Remote Indication)	230	400	480
Torque rating [N m]		3	
Remote indication conductor cross section [mm ²]		0.08 ... 1.5	
Remote indication switching capacity [V/A]		AC: 125/0.2 DC: 250/1	
Remote Indication Torque [N m]		0.2	

DIMENSIONS AND WEIGHT



PSC4-12,5/XXX TNS PSC4-12,5/XXX TNS IR (with Remote Indication)	230	400	480
Net Weight [kg]	0.63	0.654	0.497
Gross weight [kg]	0.731	0.699	0.542
Packaging dimensions (H x W x L) [mm]	117 × 78 × 90		

INTERNAL CONFIGURATION



REPLACEMENT CARTRIDGES

PSC4-12,5/XXX TNS PSC4-12,5/XXX TNS IR (with Remote Indication)	230	400	480
PSC-12,5/XXX (Line)	77738600	77738601	77738603