

EGARA 2 3+1

Power Line SPDs
DIN RAIL - IEC TYPE 2



General Data

Internal configuration	3+1
No. Poles	4-Pole
No. DIN rail modules	4
Network configuration	TT, TNS
IEC SPD Type	Class II
EN SPD Type	Type 2
UL SPD Type	Type 1 Component Assembly
Format	Pluggable
Protection Modes	L-N / N-PE
Product standards	IEC/EN 61643-11; UL 1449 5th Edition
Certifications	CE, Rohs, UKCA, KEMA-KEUR; ENEC
AC or DC	AC



PART NUMBERS

XXX	275	320	440
EGA 2 XXX/3+1	33707400	33707408	33707416
EGA 2 XXX/3+1 IR (with Remote Indication)	33707401	33707409	33707417

SURGE PROTECTION DEVICE (SPD) - IEC TECHNICAL FEATURES

EGA 2 XXX/3+1, EGA 2 XXX/3+1 IR (with Remote Indication)	275	320	440
Maximum back-up fuse [A [gG]]		315	
Maximum continuous operating voltage (AC) - Uc (L-N) [V]	275	320	440
Maximum continuous operating voltage (AC) - Uc (N-PE) [V]		255	440
Nominal voltage AC 50-60 Hz - Un [V]	230/400	277/480	400/690
Nominal voltage AC 50-60 Hz - Un(L-L) [V]	400	480	690
Nominal voltage AC 50-60 Hz - Un(L-N) [V]	230	277	400
Nominal discharge current (8/20)- In [kA]		20	
Max Discharge Current (8/20) - I _{max} (L-N) [kA]		50	
Max Discharge Current (8/20) - I _{max} (N-PE) [kA]		50	
Voltage protection level at In - Up (L-N) [kV]		≤1,5	≤2
Voltage protection level at In - Up (L-PE) [kV]		≤1,8	≤2,5
Voltage protection level at In - Up (N-PE) [kV]		≤1,5	≤2
Short circuit withstand- I _{scCR} [kA]		25	
Following current - I _{fi} [A]		100	
Residual current- IGND [mA]		<0,01	
Response time - t _A (L-N)		<25	
Response time - t _A (N-PE)		<100	
TOV 5s (LV systems, withstand)- Ut(L-N) [V]	337	403	581
TOV 120min (LV systems, fail safe)- Ut(L-N) [V]	442.5	528	763
TOV 200 ms (HV Systems, withstand) - Ut (N-PE) [V]		1200	
Dynamic thermal disconnection		Yes	
Thermal protection behaviour		OCM (Open Circuit Mode)	
No. of ports		1	

DATASHEET

This document is subject to change at any time without notice www.cirprotec.com | Lepanto 49 · 08223 Terrassa, Barcelona Spain © 2024 Cirprotec SLU | All rights reserved

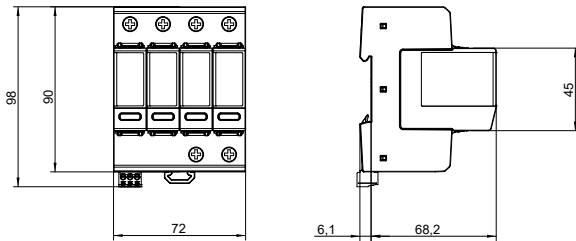
cirprotec

EGARA 2 3+1

MECHANICAL AND ENVIRONMENTAL FEATURES

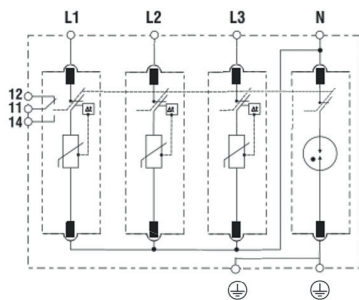
EGA 2 XXX /3+1, EGA 2 XXX /3+1 IR (with Remote Indication)	275	320	440
Temperature range [°C]		-40 ... 85	
Humidity range [%]		5 ... 95	
Max. Altitude [m]		4000	
Indication System Type		Green (OK) / Not Green (replace)	
Insulating material		PA6 CT1 & PA66 CT1	
Housing color		Grey RAL 7035	
Enclosure - IP		IP20	
Flammability class		V-0	
Solid conductor cross section		1,5...35mm ²	
Stranded conductor cross section		1,5...25mm ²	
Torque rating [N.m]		3	
Remote indication conductor cross section [mm ²]		0.5 ... 1.5	
Remote indication switching capacity [V/A]		AC: 250/0.5 DC: 30/1	

DIMENSIONS AND WEIGHT



EGA 2 XXX /3+1 EGA 2 XXX /3+1 IR (with Remote Indication)	275	320	440
Net Weight [kg]		0.48	
Gross weight [kg]		0.52	
Packaging dimensions (H x W x L) [mm]		97 × 78 × 118	

INTERNAL CONFIGURATION



REPLACEMENT CARTRIDGES

EGA 2 XXX /3+1 EGA 2 XXX /3+1 IR (with Remote Indication)	275	320	440
EGARA 2 XXX (Line)	33707001	33707003	33707005
EGARA 2 N (Neutral)	33707000		33707013

DATASHEET