

# EGARA 2 1+0

Power Line SPDs  
DIN RAIL - IEC TYPE 2



## General Data

Internal configuration	1+0
No. Poles	1-Pole
No. DIN rail modules	1
Network configuration	TNS, TNC, TT (only L-N)
IEC SPD Type	Class II
EN SPD Type	Type 2
UL SPD Type	Type 1 Component Assembly
Format	Pluggable
Protection Modes	L-N / L-PE / N-PE
Product standards	IEC/EN 61643-11; UL 1449 5th Edition
Certifications	CE, Rohs, UKCA, KEMA-KEUR; ENEC
AC or DC	AC



## PART NUMBERS

XXX	275	320	440
EGA 2 XXX/1+0	33707102	33707106	33707110
EGA 2 XXX/1+0 IR (with Remote Indication)	33707103	33707107	33707111

## SURGE PROTECTION DEVICE (SPD) - IEC TECHNICAL FEATURES

EGA 2 XXX/1+0, EGA 2 XXX/1+0 IR (with Remote Indication)	275	320	440
Maximum back-up fuse [A [gG]]		315	
Maximum continuous operating voltage (AC) - Uc [V]	275	320	440
Nominal voltage AC 50-60 Hz - Un [V]	230/400	277/480	400/690
Nominal voltage AC 50-60 Hz - Un(L-L) [V]	400	480	690
Nominal voltage AC 50-60 Hz - Un(L-N) [V]	230	277	400
Nominal discharge current (8/20)- In [kA]		20	
Max Discharge Current (8/20) - Imax [kA]		50	
Voltage protection level at In - Up [kV]		≤1,5	≤2
Short circuit withstand- Iscsr [kA]		25	
Residual current- IGND [mA]		<1	
Response time - tA [ns]		<25	
TOV 5s (LV systems, withstand) - Ut [V]	337	403	581
TOV 120min (LV systems, fail safe)- Ut [V]	442.5	528	763
Dynamic thermal disconnection		Yes	
Thermal protection behaviour		OCM (Open Circuit Mode)	
No. of ports		1	

## MECHANICAL AND ENVIRONMENTAL FEATURES

EGA 2 XXX/1+0, EGA 2 XXX/1+0 IR (with Remote Indication)	275	320	440
Temperature range [°C]		-40 ... 85	
Humidity range [%]		5 ... 95	
Max. Altitude [m]		4000	
Indication System Type		Green (OK) / Not Green (replace)	
Insulating material		PA6 CT1 & PA66 CT1	

## DATASHEET

This document is subject to change at any time without notice [www.cirprotec.com](http://www.cirprotec.com) | Lepanto 49 · 08223 Terrassa, Barcelona Spain © 2024 Cirprotec SLU | All rights reserved

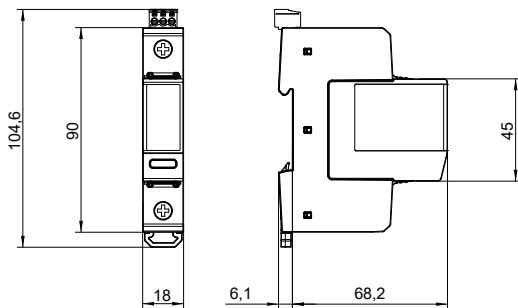
**cirprotec**

# EGARA 2 1+0

Continue EGA 2 **XXX**/1+0, EGA 2 **XXX**/1+0 IR (with Remote Indication)

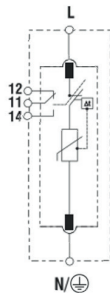
EGA 2 <b>XXX</b> /1+0, EGA 2 <b>XXX</b> /1+0 IR (with Remote Indication)	275	320	440
Housing color	Grey RAL 7035		
Enclosure - IP	IP20		
Flammability class	V-0		
Solid conductor cross section	1,5...35mm <sup>2</sup>		
Stranded conductor cross section	1,5...25mm <sup>2</sup>		
Torque rating [N.m]	3		
Remote indication conductor cross section [mm <sup>2</sup> ]	0.5 ... 1.5		
Remote indication switching capacity [V/A]	AC: 250/0.5 DC: 30/1		

## DIMENSIONS AND WEIGHT



EGA 2 <b>XXX</b> /1+0 EGA 2 <b>XXX</b> /1+0 IR (with Remote Indication)	275	320	440
Net Weight [kg]	0.12		
Gross weight [kg]	0.13		
Packaging dimensions (H x W x L) [mm]	97 x 22 x 118		

## INTERNAL CONFIGURATION



## REPLACEMENT CARTRIDGES

EGA 2 <b>XXX</b> /1+0 EGA 2 <b>XXX</b> /1+0 IR (with Remote Indication)	275	320	440
EGARA 2 XXX (Line)	33707001	33707003	33707005

## DATASHEET

This document is subject to change at any time without notice [www.cirprotec.com](http://www.cirprotec.com) | Lepanto 49 · 08223 Terrassa, Barcelona Spain © 2024 Cirprotec SLU | All rights reserved