

# EGARA 2 0+1

Power Line SPDs  
DIN RAIL - IEC TYPE 2



## General Data

Internal configuration	0+1
No. Poles	1-Pole
No. DIN rail modules	1
Network configuration	TT, TNS
IEC SPD Type	Class II
EN SPD Type	Type 2
UL SPD Type	Type 1 Component Assembly
Format	Pluggable
Protection Modes	N-PE
Product standards	IEC/EN 61643-11; UL 1449 5th Edition
Certifications	CE, Rohs, UKCA, KEMA-KEUR; ENEC
AC or DC	AC



## PART NUMBERS

EGA 2 N/0+1

33707100

## SURGE PROTECTION DEVICE (SPD) - IEC TECHNICAL FEATURES

Maximum back-up fuse [A [gG]]	315
Maximum continuous operating voltage (AC) - U <sub>c</sub> [V]	255
Nominal voltage AC 50-60 Hz - U <sub>n</sub> [V]	Neutral
Nominal discharge current (8/20)- I <sub>n</sub> [kA]	50
Max Discharge Current (8/20) - I <sub>max</sub> [kA]	50
Voltage protection level at I <sub>n</sub> - U <sub>p</sub> [kV]	≤1,5
Following current - I <sub>fi</sub> [A]	100
Residual current- IGND [mA]	<0,01
Response time - t <sub>A</sub> [ns]	<100
TOV 200ms (HV systems, withstand)- U <sub>t</sub> [V]	1200
No. of ports	1

## MECHANICAL AND ENVIRONMENTAL FEATURES

Temperature range [°C]	-40 ... 85
Humidity range [%]	5 ... 95
Max. Altitude [m]	4000
Indication System Type	Green (OK) / Not Green (replace)
Insulating material	PA6 CT1 & PA66 CT1
Housing color	Grey RAL 7035
Enclosure - IP	IP20
Flammability class	V-0
Solid conductor cross section	1,5...35mm <sup>2</sup>
Stranded conductor cross section	1,5...25mm <sup>2</sup>
Torque rating [N.m]	3
Remote indication conductor cross section [mm <sup>2</sup> ]	0.5 ... 1.5
Remote indication switching capacity [V/A]	AC: 250/0.5 DC: 30/1

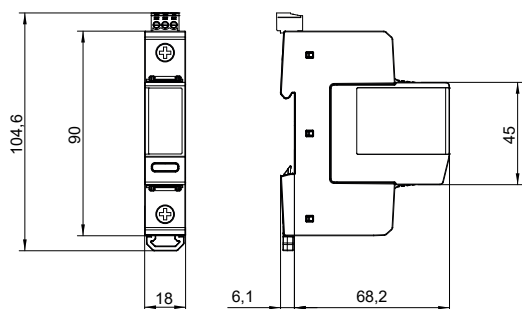
## DATASHEET

This document is subject to change at any time without notice [www.cirprotec.com](http://www.cirprotec.com) | Lepanto 49 · 08223 Terrassa, Barcelona Spain © 2024 Cirprotec SLU | All rights reserved

**cirprotec**

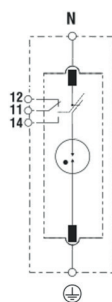
# EGARA 2 0+1

## DIMENSIONS AND WEIGHT



Net Weight [kg]	0.12
Gross weight [kg]	0.13
Packaging dimensions (H x W x L) [mm]	97 × 22 × 118

## INTERNAL CONFIGURATION



## DATASHEET

This document is subject to change at any time without notice [www.cirprotec.com](http://www.cirprotec.com) | Lepanto 49 · 08223 Terrassa, Barcelona Spain © 2024 Cirprotec SLU | All rights reserved