

DIN 485-5V-5N

Signal Line SPDs
Measurement and Control



General Data

No. DIN rail modules	2
Format	DIN
Product standards	IEC 61643-21



PART NUMBERS

DIN 485-5V-5N

77840817

SURGE PROTECTION DEVICE (SPD) - IEC TECHNICAL FEATURES

Maximum continuous operating voltage (AC) - Uc (L1/L2-PE) [V]	5.2
Nominal voltage AC 50-60Hz - Un (L1/L2-PE) [V]	12
Nominal discharge current (8/20) - In (L-PE) [kA]	10
Max Discharge Current (8/20) - I _{max} (L-PE) [kA]	10
Rated current load - IL [A]	0.45
Voltage protection level at In - Up (L1-L2) [V]	≤30
Voltage protection level at In - Up (L1/L2-PE) [V]	≤15

TECHNICAL FEATURES

Network communication standards	Analog signals
Bandwidth [MHz]	60

MECHANICAL AND ENVIRONMENTAL FEATURES

Temperature range [°C]	-20 ... 60
Enclosure - IP	IP20
Protected Wires	4 Wires + GND
Input connector	Terminal
Output connector	Terminal
Solid conductor cross section	0,2...4 mm ²
Stranded conductor cross section	0,2...2,5 mm ²
Torque rating [N m]	0.7

DATASHEET

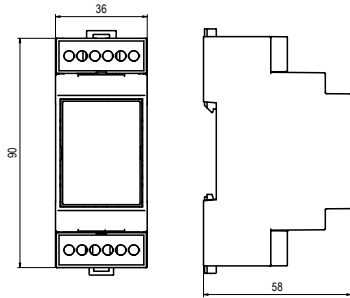
This document is subject to change at any time without notice www.cirprotec.com | Lepanto 49 · 08223 Terrassa, Barcelona Spain © 2024 Cirprotec SLU | All rights reserved

cirprotec

DIN 485-5V-5N

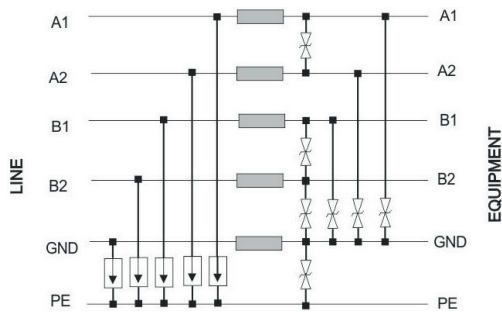
Signal Line SPDs
Measurement and Control

DIMENSIONS AND WEIGHT



Net Weight [kg]	0.085
Gross weight [kg]	0.102
Packaging dimensions (H x W x L) [mm]	117 x 42 x 90

INTERNAL CONFIGURATION



DATASHEET

This document is subject to change at any time without notice www.cirprotec.com | Lepanto 49 · 08223 Terrassa, Barcelona Spain © 2024 Cirprotec SLU | All rights reserved