

DIN 485-5N

Signal Line SPDs
Measurement and Control



General Data

| | |
|----------------------|--------------|
| No. DIN rail modules | 2 |
| Format | DIN |
| Product standards | IEC 61643-21 |



PART NUMBERS

DIN 485-5N

77840816

SURGE PROTECTION DEVICE (SPD) - IEC TECHNICAL FEATURES

| | |
|---|-----|
| Maximum continuous operating voltage (AC) - Uc (L1/L2-PE) [V] | 16 |
| Nominal voltage AC 50-60Hz - Un (L1/L2-PE) [V] | 12 |
| Nominal discharge current (8/20) - In (L-PE) [kA] | 5 |
| Max Discharge Current (8/20) - I _{max} (L-PE) [kA] | 10 |
| Voltage protection level at In - Up (L1-L2) [V] | ≤27 |
| Voltage protection level at In - Up (L1/L2-PE) [V] | ≤45 |

TECHNICAL FEATURES

| | |
|---------------------------------|----------------|
| Network communication standards | Analog signals |
| Bandwidth [MHz] | 0.5 |
| Max. communication voltage [V] | 12 |

MECHANICAL AND ENVIRONMENTAL FEATURES

| | |
|----------------------------------|---------------------------|
| Temperature range [°C] | -20 ... 60 |
| Enclosure - IP | IP20 |
| Protected Wires | 4 Wires + GND |
| Input connector | Terminal |
| Output connector | Terminal |
| Solid conductor cross section | 0,2...4 mm ² |
| Stranded conductor cross section | 0,2...2,5 mm ² |

DATASHEET

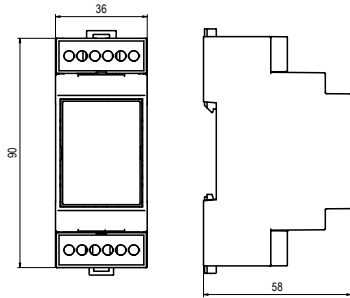
This document is subject to change at any time without notice www.cirprotec.com | Lepanto 49 · 08223 Terrassa, Barcelona Spain © 2024 Cirprotec SLU | All rights reserved

cirprotec

DIN 485-5N

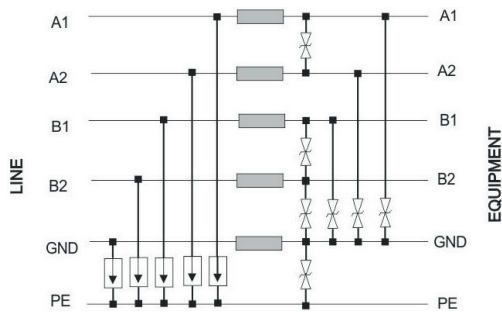
Signal Line SPDs
Measurement and Control

DIMENSIONS AND WEIGHT



| | |
|---------------------------------------|---------------|
| Net Weight [kg] | 0.085 |
| Gross weight [kg] | 0.102 |
| Packaging dimensions (H x W x L) [mm] | 117 x 42 x 90 |

INTERNAL CONFIGURATION



DATASHEET

This document is subject to change at any time without notice www.cirprotec.com | Lepanto 49 · 08223 Terrassa, Barcelona Spain © 2024 Cirprotec SLU | All rights reserved