

CPS Block 3 Phase Delta 240 V

Power Line SPDs
NEMA - TVSS



General Data

Network configuration	3 Phase Delta
IEC SPD Type	Class II
UL SPD Type	Type 2
Format	Monobloc
Protection Modes	Common & differential protection
Product standards	IEC 61643-11; UL 1449 4th edition



PART NUMBERS

XXX	120	160	200
CPS block XXXkA 3 PhD 240 V	77798617	77798637	77798657

SURGE PROTECTION DEVICE (SPD) - IEC TECHNICAL FEATURES

CPS block XXXkA 3 PhD 240 V	120	160	200
Nominal voltage AC 50-60 Hz - Un [V]	240		
Nominal voltage AC 50-60 Hz - Un(L-N) [V]	240		
Max Discharge Current (8/20) - I _{max}	120kA/ph	160kA/ph	200kA/ph
Maximum back-up fuse [A [gG]]	80		
Response time - t _A [ns]	≤1		

SURGE PROTECTION DEVICE (SPD) - UL TECHNICAL FEATURES

CPS block XXXkA 3 PhD 240 V	120	160	200
Nominal discharge current (8/20) - I _n [kA]	20		
Maximum continuous operating voltage - MCOV (L-N) [V]	275		
Voltage protection rating - VPR (L-L) [V]	900		
Voltage protection rating - VPR (L-N) [V]	900		
Voltage protection rating - VPR (L-G) [V]	900		
Voltage protection rating - VPR (N-G) [V]	900		
Short-Circuit Current Rating-SCCR [kA]	200		

MECHANICAL AND ENVIRONMENTAL FEATURES

CPS block XXXkA 3 PhD 240 V	120	160	200
Temperature range [°C]	-40 ... 70		
Indication System Type	Protection status LED		
Enclosure - IP	IP55		
Stranded conductor cross section	2,5 mm ²		
Stranded conductor AWG dimensions	#14		

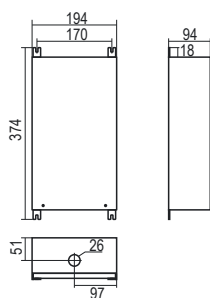
DATASHEET

This document is subject to change at any time without notice www.cirprotec.com | Lepanto 49 · 08223 Terrassa, Barcelona Spain © 2024 Cirprotec SLU | All rights reserved

cirprotec

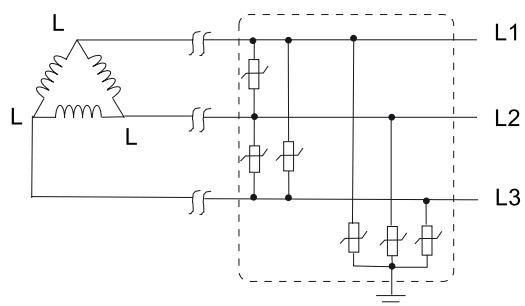
CPS Block 3 Phase Delta 240 V

DIMENSIONS AND WEIGHT



CPS block XXX kA 3 PhD 240 V	120	160	200
Net Weight [kg]	4.32		
Gross weight [kg]	4.526		
Packaging dimensions (H x W x L) [mm]	210 × 313 × 463		

INTERNAL CONFIGURATION



DATASHEET